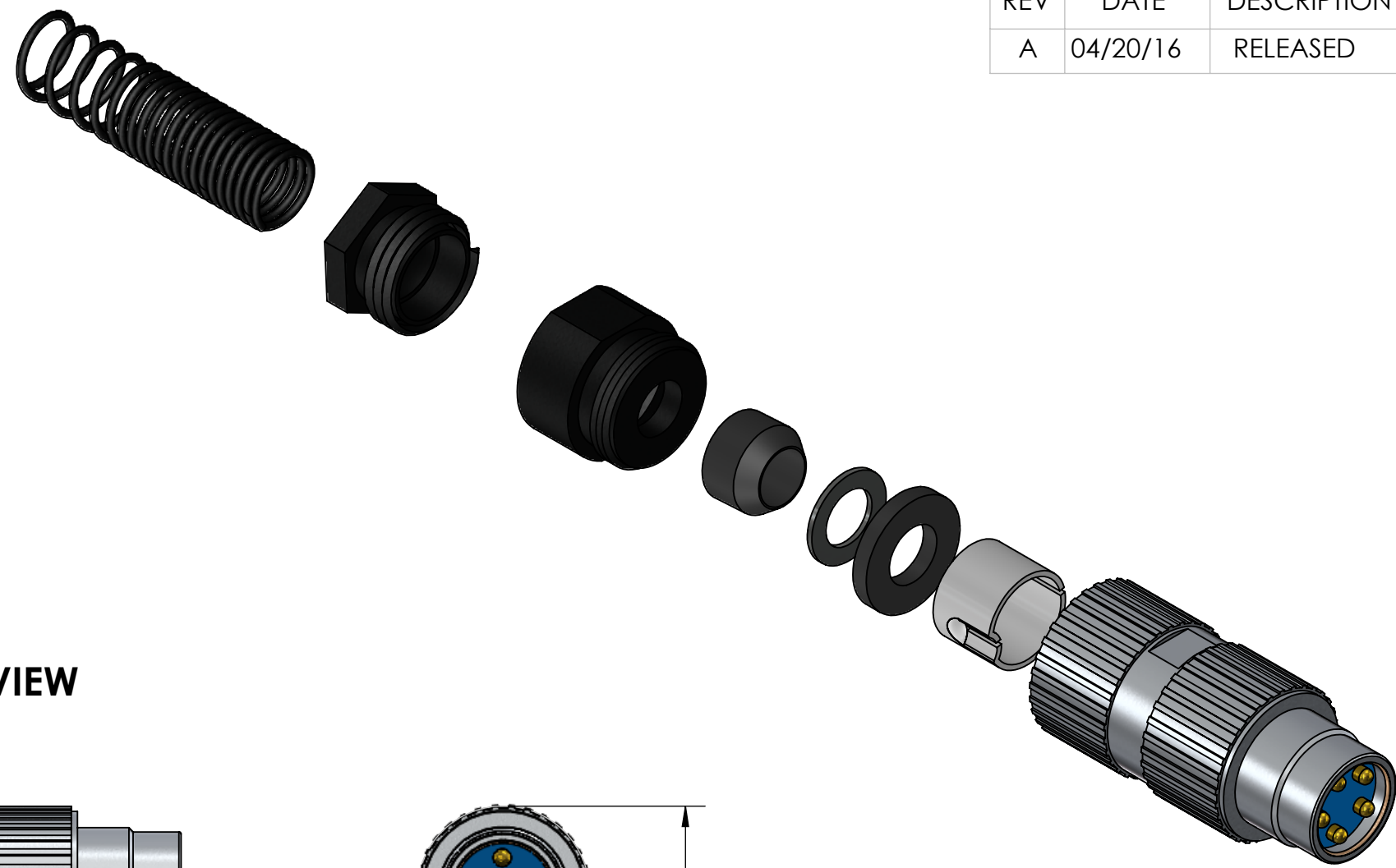
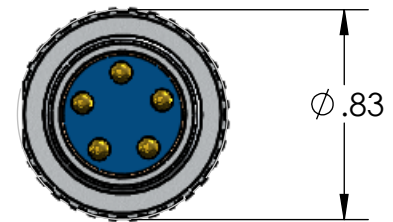
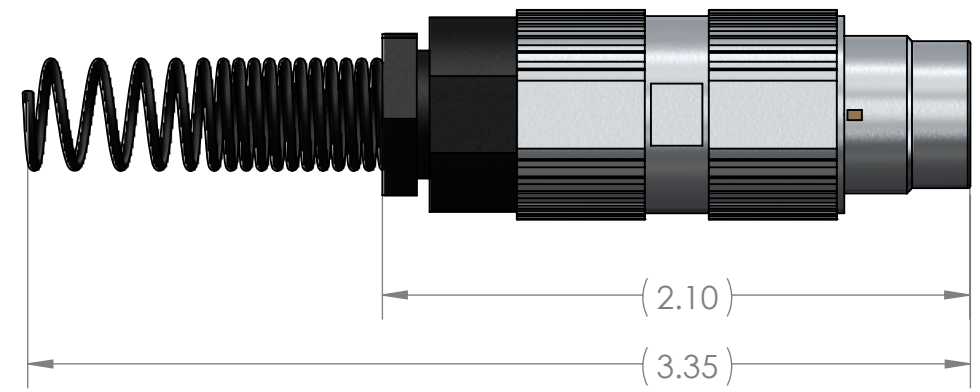


REV	DATE	DESCRIPTION OF CHANGE	ENG
A	04/20/16	RELEASED	RJB



**ASSEMBLED VIEW**



UNLESS OTHERWISE SPECIFIED:  
 DIMENSIONS ARE IN: INCHES  
 TOLERANCES: .XX: ± 0.03  
 .XXX: ± 0.005  
 ANGULAR: .X°: 1°  
 .XX°: 0.5°  
 BREAK EDGES: .005 - .020  
 FILLETS: .005 - .020  
 SURFACE FINISH:  
 GEOMETRIC TOLERANCING  
 PER: ASME Y14.5 -2009  
 MATERIAL: SEE DRAWING NOTES  
 FINISH: SEE DRAWING NOTES  
 DO NOT SCALE DRAWING

	NAME	DATE
DRAWN	TC	03/20/15
CHECKED	RJB	03/20/15
COMMENTS:		
<b>PROPRIETARY AND CONFIDENTIAL</b>		
THE INFORMATION CONTAINED IN THIS DRAWING IS THE SOLE PROPERTY OF SUPPLYNET, INC. ANY REPRODUCTION IN PART OR AS A WHOLE WITHOUT THE WRITTEN PERMISSION OF SUPPLYNET INC. IS PROHIBITED.		
<b>CAGE CODE: 1HJX9</b>		

REF. NUMBER: SN0358

**SupplyNet** 706 EXECUTIVE BLVD.  
 SUITE B  
 VALLEY COTTAGE, NY 10989

TITLE:  
**U-229/U CONNECTOR ASSEMBLY. 5 PIN ADIO**

SIZE	DWG. NO.	REV
<b>B</b>	<b>U-228/U</b>	<b>A</b>

SCALE: NA WEIGHT: SHEET 1 OF 1