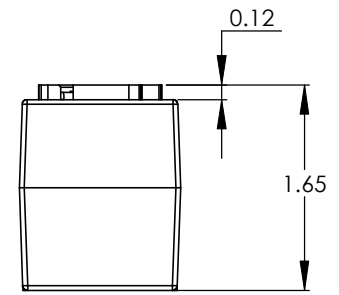
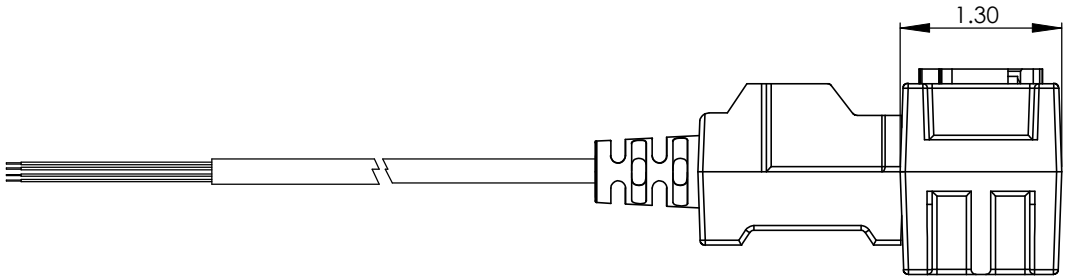
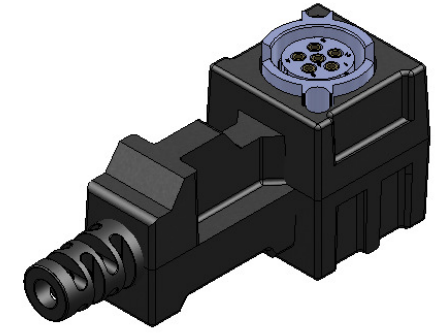
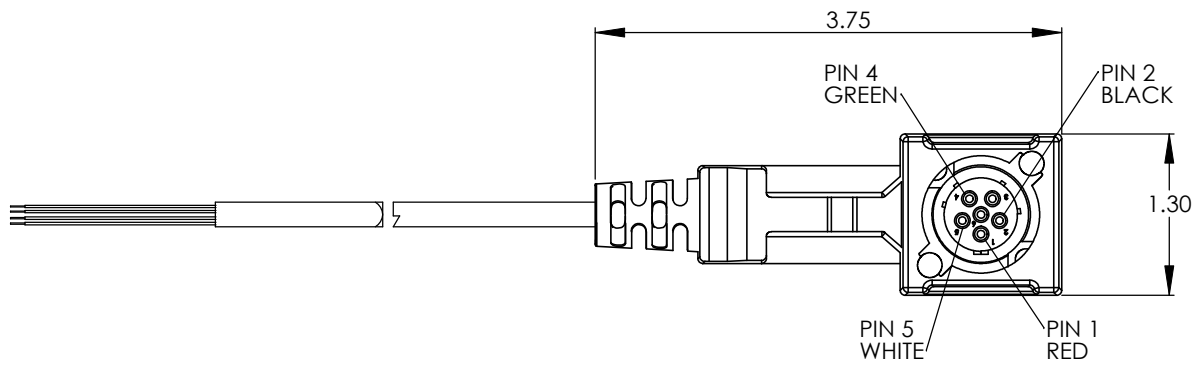
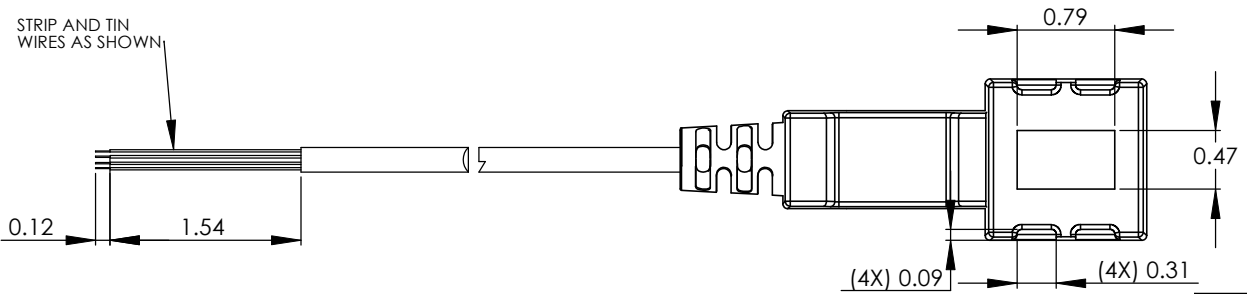


8 7 6 5 4 3 2 1



STRIP AND TIN WIRES AS SHOWN



- NOTES:
1. WIRE: 18 AWG, 4 CONDUCTOR.
  2. JACKET: MATTIE BLACK PVC, OD 0.20±0.1".
  3. BA5590 GOLD PINS ARE RATED AT 10AMPS EACH.

AVAILABLE IN THE FOLLOWING CONFIGURATIONS:

PART NUMBER	WIRE LENGTH
CONN-BA5590-FC	36" (3 FEET) 914.4 mm
CONN-BA5590-FC-06	72" (6 FEET) 1829 mm
CONN-BA5590-FC-08	96" (8 FEET) 2438.4 mm
CONN-BA5590-FC-12	144" (12 FEET) 3657.6 mm

UNLESS OTHERWISE SPECIFIED: DIMENSIONS ARE IN: INCHES TOLERANCES: .XX: ± .01 .XXX: ± .005 ANGULAR: .X°: .XX°: INTERPRET GEOMETRIC TOLERANCING PER: MATERIAL: SEE NOTES FINISH: N/A DO NOT SCALE DRAWING		NAME: DD DATE: 07/22/09 CHECKED: RB DATE: 07/22/09 COMMENTS:	<p>614 CORPORATE WAY SUITE 8M VALLEY COTTAGE, NY 10980 CAGE CODE: 1HJX9</p>		
TITLE: <b>BA-5590 FEMALE BATTERY CONNECTOR WITH CABLE</b>		<table border="1"> <tr> <td>SIZE <b>B</b></td> <td>DWG. NO. <b>CONN-BA5590-FC-XX</b></td> <td>REV <b>A</b></td> </tr> </table>	SIZE <b>B</b>	DWG. NO. <b>CONN-BA5590-FC-XX</b>	REV <b>A</b>
SIZE <b>B</b>	DWG. NO. <b>CONN-BA5590-FC-XX</b>	REV <b>A</b>			
SCALE: 1:1		WEIGHT:	SHEET 1 OF 1		

8 7 6 5 4 3 2 1